

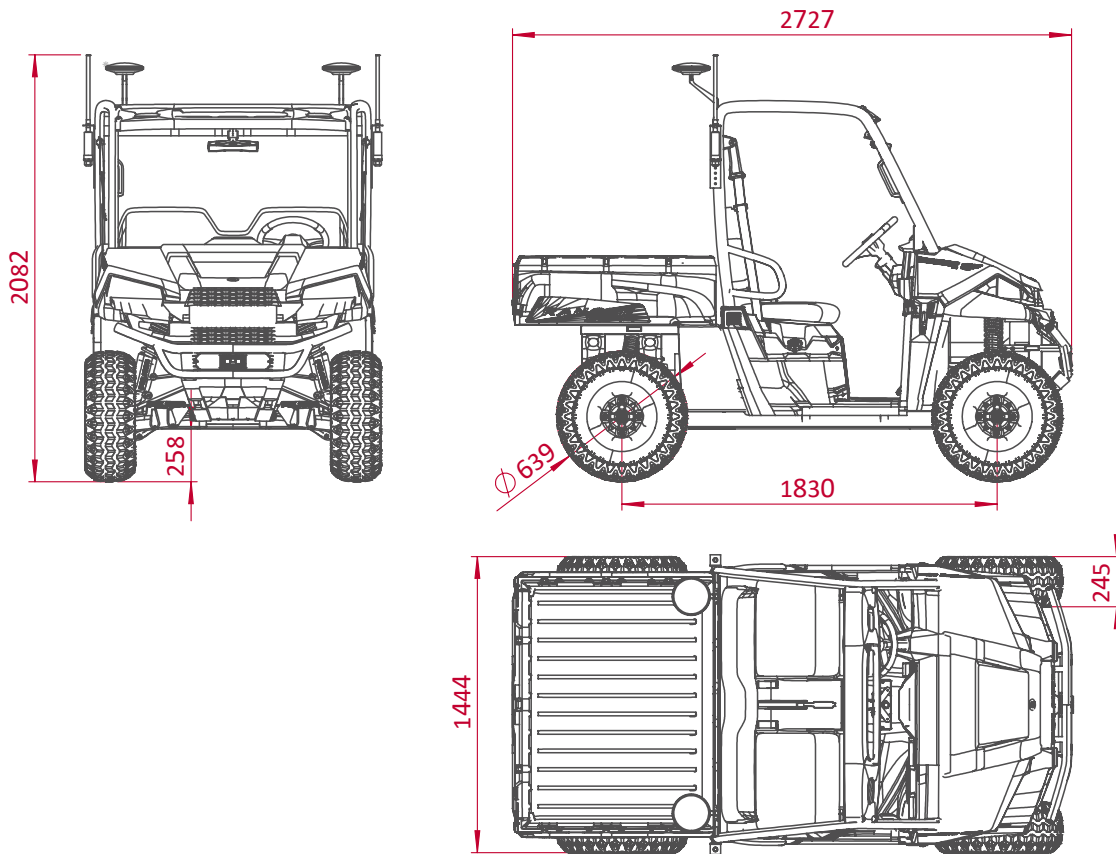
RB-CAR



AUTONOMOUS
ALL-TERRAIN ROBOT

SURVEILLANCE AND SECURITY
PEOPLE OR GOODS TRANSPORT
SERVICE ROBOTICS APPLICATIONS
AUTONOMOUS DRIVING RESEARCH





TECHNICAL SPECIFICATIONS

MECHANICAL

Dimensions	2.727 x 1.444 x 2.082 mm
Weight with batteries	800 kg
Payload	2 people + 227 Kg in the rear box
Speed	35 km / h
Autonomy	Up to 70 km
Temperature range	0° to + 40°C
Max. slope	30 %
Batteries	Lead Acid 240Ah@48V
Traction motors	7,5 kw AC
Traction system	Ackermann Rear Wheel / 4 wheel traction
Tug Capacity	680 kg

CONTROL

Controller	Open architecture ROS Embedded PC with Linux
Communication	WiFi 802.11n
Connectivity	Internal: USB, RS232, RJ45, power supplies 12, 24 VDC, and battery