



RB-ROBOUT+

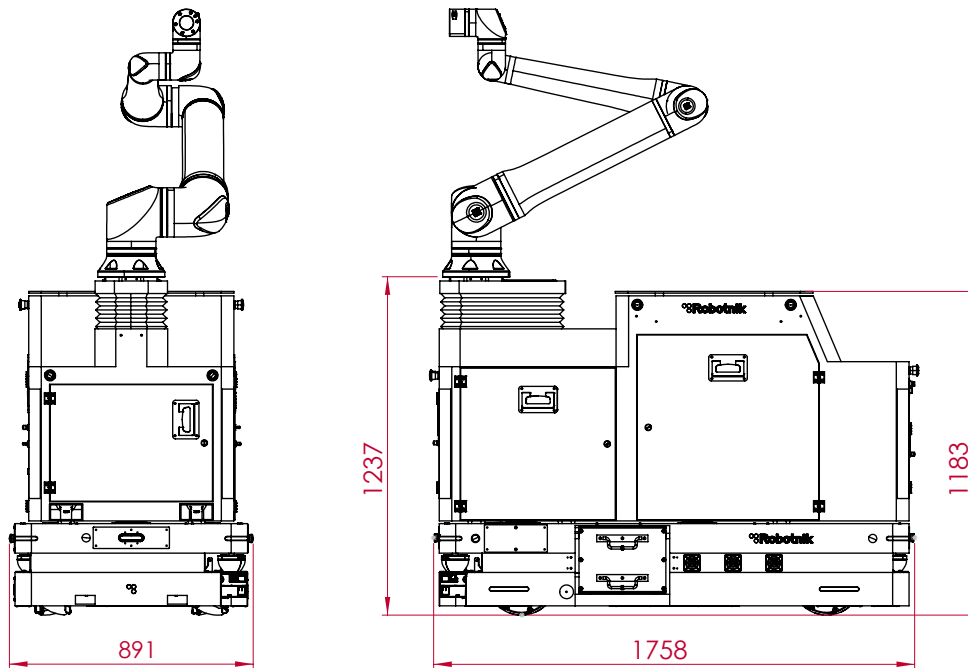
MOBILE MANIPULATOR ROBOT (MMR)

AUTONOMOUS AND
COLLABORATIVE **MOBILE
MANIPULATOR ROBOT** (MMR)
FOR LONG REACH AND HEAVY
PAYLOADS

TOOL OPERATIONS ON LARGE PARTS:

MASKING
POLISHING
CLEANING
SCREW TIGHTENING





TECHNICAL SPECIFICATIONS

MECHANICAL

Dimensions	1.758 x 891 x 1.237 mm
Weight	650 kg
Mobile base payload	500 kg
Arm payload	20 kg
UR20 - Arm reach	1.750 mm
Speed	1,1 m/s
Autonomy	Up to 10 h
Traction motors	3 kw with brake
Environment	Indoor
Enclosure class (IP)	IP42 / Weatherproof
Temperature range	0° to + 50°C
Traction system	Omnidirectional
Localization system	SLAM Magnetic guide
Battery	LiFePO₄ 100Ah@48V
Anchor points	4 on the top
Max. slope	13%

CONTROL

Controller	Open architecture ROS Integrated CPU with Linux
Communication	WiFi 02.11a / b / g / n / ac Bluetooth 5.1 (5G/4G optional)
Connectivity	USB, RJ45, HDMI, power supply 12, 24 VDC and batteries
Robot safety	Safety laser (2x) Safety PLC Safety button (4x)

OPTIONS

Roller conveyor

**Plug and play integration of
Universal Robots™ OEM DC
e-series arms**

Telescopic column

Conformity CE following ISO 3691-4 and ISO 13482. *

Collision avoidance triggered by a person or other obstacle while driving.

* With Safety option