



# RB-VOGUI+

AUTONOMOUS MOBILE MANIPULATOR

**INDOOR & OUTDOOR**  
LOGISTICS APPLICATIONS

VERSATILITY & **HIGH MOBILITY**

INDUSTRIAL APPLICATIONS

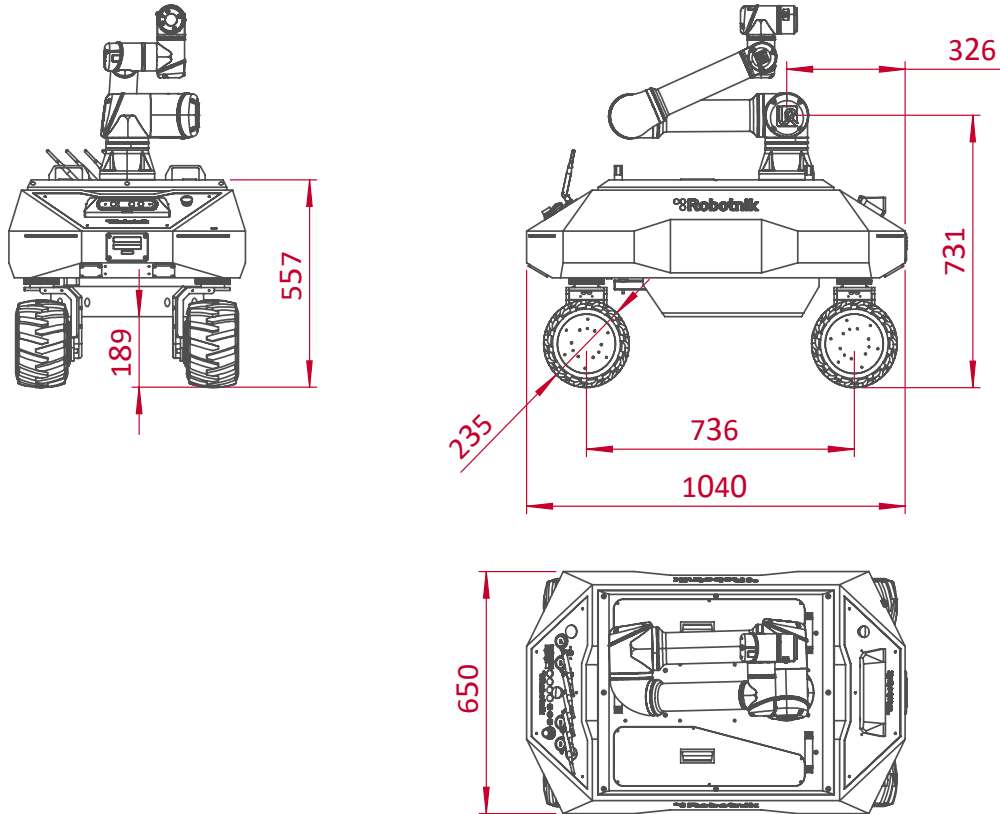
AGRICULTURE

MILITARY

ORDER PREPARATION DELIVERY

PICKING & TRANSPORT





## TECHNICAL SPECIFICATIONS

### MECHANICAL

Dimensions	<b>1.040 x 650 x 731 mm</b>
Weight	<b>165 Kg + 20,6 Kg</b>
Speed	<b>2,5 m / s</b>
Environment	<b>Indoor / Outdoor</b>
Autonomy	<b>Up to 6 h</b>
Batteries	<b>LiFePO<sub>4</sub>30Ah@48V</b>
Traction motors	<b>4 x 500 W</b>
Steering motors	<b>2 x 100 W Ackermann 4 x 100 W OMNI 4</b>
Temperature range	<b>-10°C to +45°C</b>
Payload	<b>Up to 120 Kg</b>
Max. Slope	<b>47 %</b>

### CONTROL

Controller	<b>Open architecture ROS Integrated PC with Linux</b>
Communication	<b>WiFi 802.11n</b>
Connectivity	<b>Internal: USB, RS232, RJ45 External: 2x USB, 2x RJ45, 2X hdmi + USD, 5, 12 and 48v</b>

### UR5 ARM

(Standard configuration)

Payload	<b>5 kg</b>
Reach	<b>850 mm</b>

**Other configurations (UR3,  
UR10, UR16)**