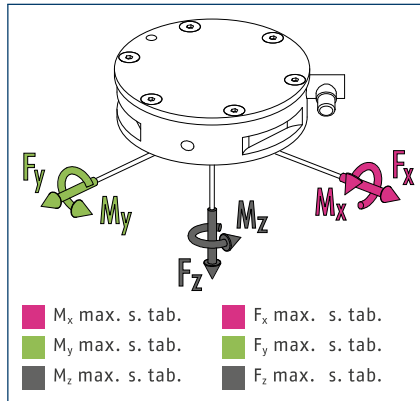


FT Omega331

Measuring | Force / Torque Sensor

Forces and Moments



① For load index see technical data table.

Technical data FTN

Description		FTN-Omega-331	FTN-Omega-331	FTN-Omega-331
Calibration		SI-10000-1500	SI-20000-3000	SI-40000-6000
Evaluation via		Ethernet	Ethernet	Ethernet
Weight	[kg]	47	47	47
Measuring range F_x, F_y	[N]	±10000	±20000	±40000
Measuring range F_z	[N]	±22000	±44000	±88000
Measuring range M_x, M_y	[Nm]	±1500	±3000	±6000
Measuring range M_z	[Nm]	±1500	±3000	±6000
Overload F_x, F_y	[N]	±260000	±260000	±260000
Overload F_z	[N]	±520000	±520000	±520000
Overload M_x, M_y	[Nm]	±32000	±32000	±32000
Overload M_z	[Nm]	±46000	±46000	±46000
Resolution F_x, F_y	[kN]	1/480	1/240	1/120
Resolution F_z	[kN]	1/240	1/120	1/60
Resolution M_x, M_y	[kNm]	3/8000	3/4000	3/2000
Resolution M_z	[kNm]	3/16000	3/8000	3/4000

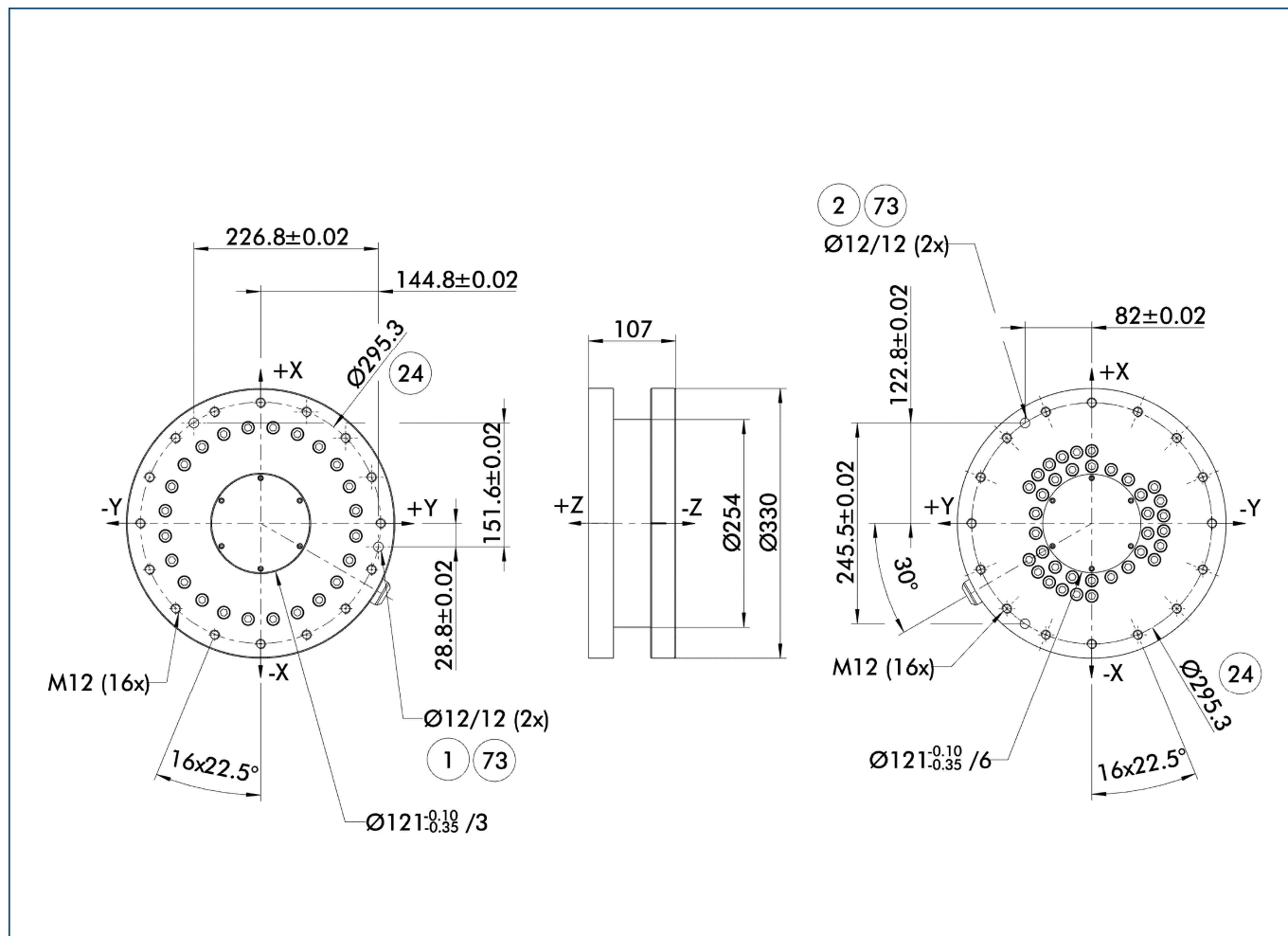
Technical data deviating from FTD

Description		FTD-Omega-331	FTD-Omega-331	FTD-Omega-331
Evaluation via		DAQ	DAQ	DAQ
Resolution F_x, F_y	[kN]	1/480	1/240	1/120
Resolution F_z	[kN]	1/240	1/120	1/60
Resolution M_x, M_y	[kNm]	3/8000	3/4000	3/2000
Resolution M_z	[kNm]	3/16000	3/8000	3/4000

Technical data deviating from FTS

Description		FTS-Omega-331	FTS-Omega-331	FTS-Omega-331
Evaluation via		Stand-Alone	Stand-Alone	Stand-Alone
Resolution F_x, F_y	[kN]	1/240	1/120	1/60
Resolution F_z	[kN]	1/120	1/60	1/30
Resolution M_x, M_y	[kNm]	3/4000	3/2000	3/1000
Resolution M_z	[kNm]	3/8000	3/4000	3/2000

Main view



The main view shows the unit in its basic version.

- ① Robot side connection
- ② Tool side connection
- ②④ Bolt circle
- ②⑦③ Fit for a centering pin