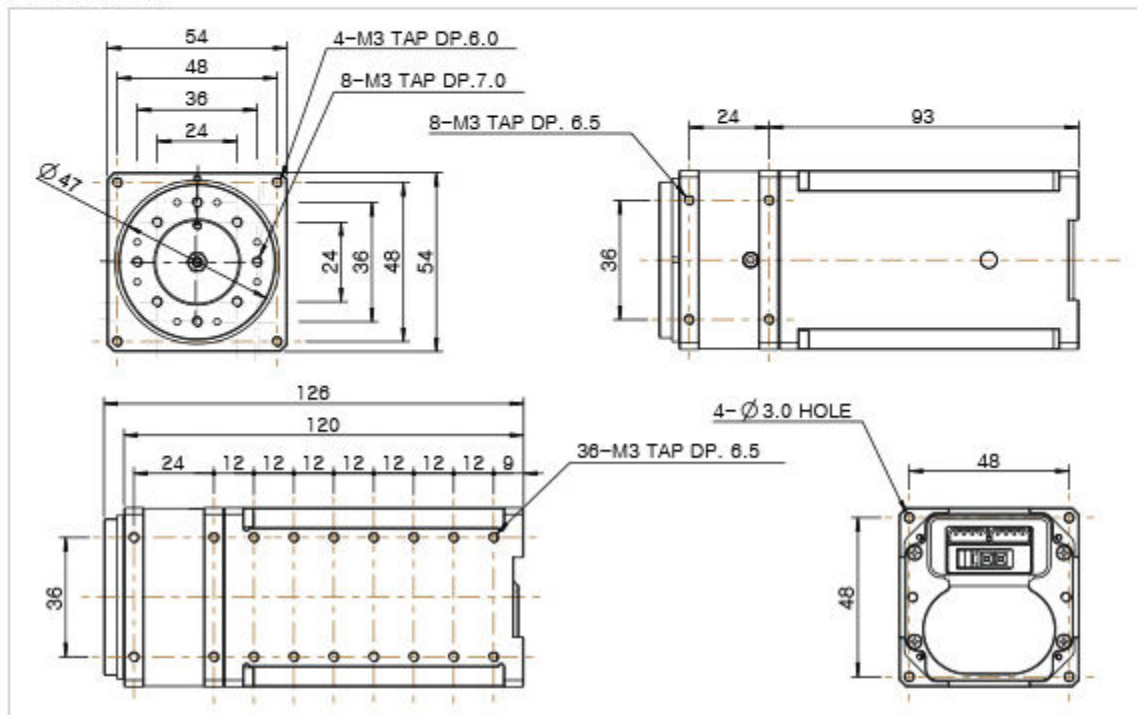


# H54-200-S500-R

close

## Dimension



## Download

PDF Download

DWG Download

STEP Download

IGES Download

## Data

		Unit	H54-200-S500-R
Rated voltage		V	24
No load speed		RPM	35
No load current		A	1.08
Standby Current		mA	70
Continuous operation	Speed	RPM	32.1
	Torque	Nm	39.131
	Current	A	9.505
Resolution		Step/turn	502,000
Gear ratio		-	502
Backlash		arcmin	3.8
Interface		-	RS-485 / CAN
Operating temperature		$^{\circ}$ C	5~55

## Performance Graph

H54-200-S500-R

