

# RB-VOGUI XL

AUTONOMOUS MOBILE ROBOT

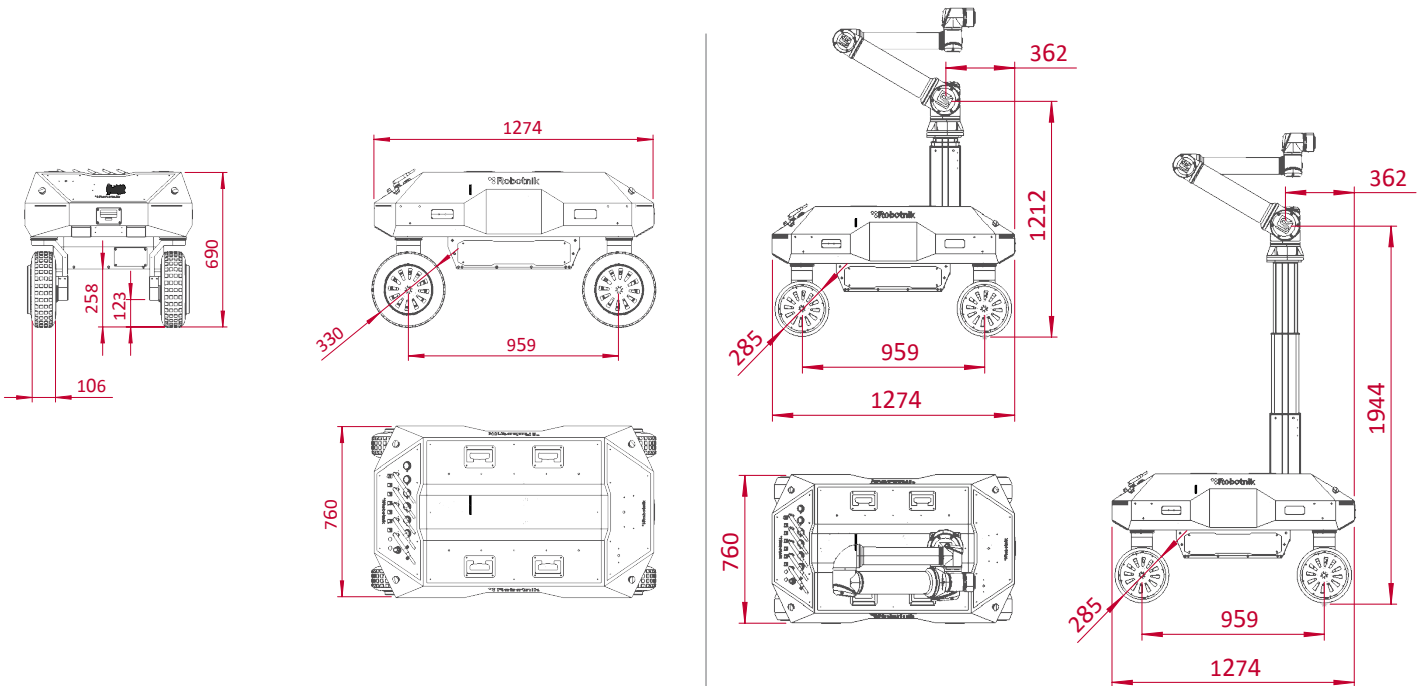


INDOOR & OUTDOOR  
**LOGISTICS APPLICATIONS**

**HIGH VERSATILITY  
& MOBILITY**

INDUSTRIAL APPLICATIONS  
RESEARCH & DEVELOPMENT  
PICKING & TRANSPORT  
AGRICULTURE





## TECHNICAL SPECIFICATIONS

### MECHANICAL

Dimensions	<b>1.274 x 760 x 690 mm</b>
Weight	<b>250 kg</b>
Speed	<b>1 m/s</b>
Environment	<b>Indoor / Outdoor</b>
Autonomy	<b>Up to 9 h</b>
Batteries	<b>LiFePO<sub>4</sub> 60Ah@48V</b>
Traction motors	<b>4 x 750 W (with brake)</b>
Traction system	<b>Omnidirectional / dual ackerman</b>
Steering motors	<b>4</b>
Enclosure class	<b>IP50 (IP53 weatherproof optional)</b>
Temperature range	<b>-10°C to +45°C</b>
Payload	<b>Up to 250 Kg</b>
Max. Slope	<b>47 %</b>

### CONTROL

Controller	<b>Open architecture ROS Integrated PC with Linux</b>
Communication	<b>WiFi 02.11a / b / g / n / ac Bluetooth 5.1 (5G/4G optional)</b>
Connectivity	<b>Internal: USB, RS232, RJ45 External: 2x USB, 2x RJ45, 1X HDMI + USB, 12, 24, 48 VDC power supply and batteries</b>

### OPTIONS

**Telescopic column from  
500 to 1400 mm**

**Plug and play integration of  
Universal Robots™ OEM DC  
e-series arms (dual arm optional)**