

# XL-GEN



MOBILE MANIPULATOR  
FOR **RESEARCH**  
& **DEVELOPMENT**

RESEARCH & DEVELOPMENT

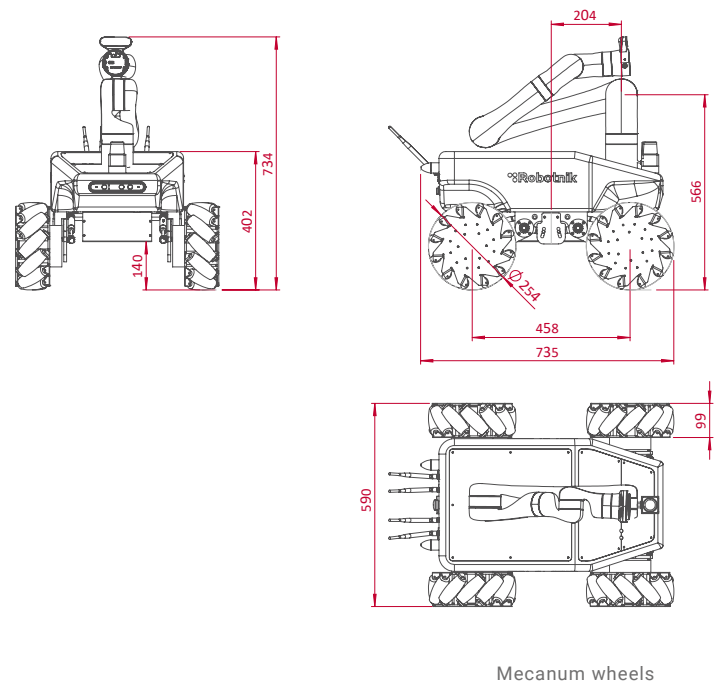
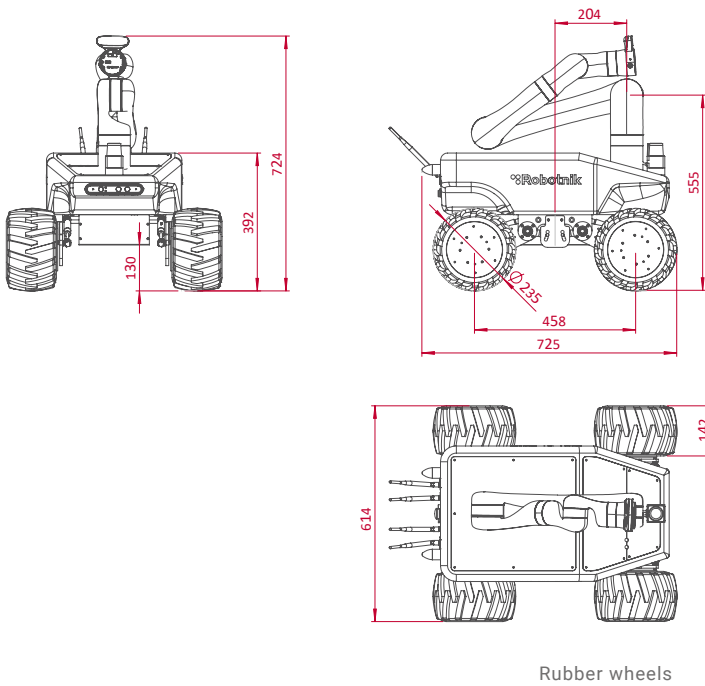
INSPECTION

LOGISTICS

REMOTE MONITORING

ACCESS TO HARSH ENVIRONMENTS





## TECHNICAL SPECIFICATIONS

### MECHANICAL

Dimensions	<b>720 x 613 x 708 mm</b>
Weight	<b>50 Kg</b>
Payload	<b>15 kg</b>
Speed	<b>3 m/s</b>
Environment	<b>Indoor/Outdoor</b>
Enclosure class	<b>IP54</b>
Autonomy	<b>Up to 6 h</b>
Batteries	<b>LiFePO<sub>4</sub> 15Ah@48V</b>
Traction system	<b>4 wheels</b>
Traction motors	<b>4 x 500 W brushless servomotors</b>
Temperature range	<b>0° to +50°C</b>
Max. slope	<b>80 %</b>

### CONTROL

Controller	<b>Open architecture ROS Embedded PC with Linux</b>
Communication	<b>WiFi 802.11n</b>
Connectivity	<b>Internal: USB, RS232 and GPIO External: USB, RJ45 and power supply 12 VDC</b>

### Arm load capacity (Kinova)

**6 DOF** 2,6 Kg (Half range)  
2,2 Kg (Complete Range)

**7 DOF** 2,4 Kg (Half range)  
2,1 Kg (Complete Range)

### Arm reach

**6 DOF** 900 mm

**7 DOF** 984 mm