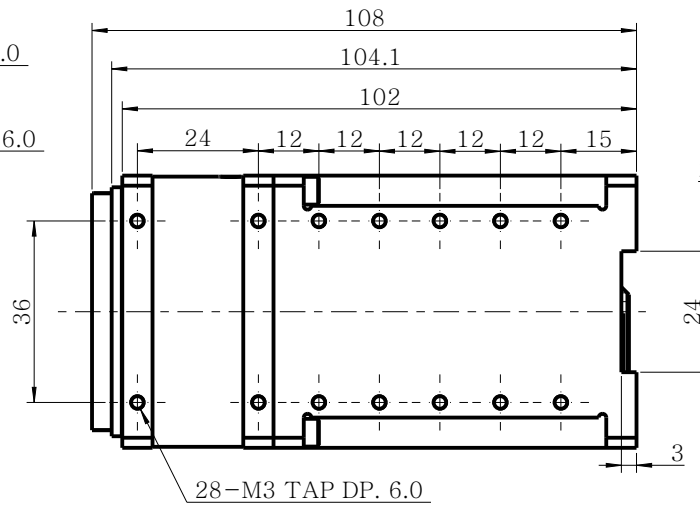
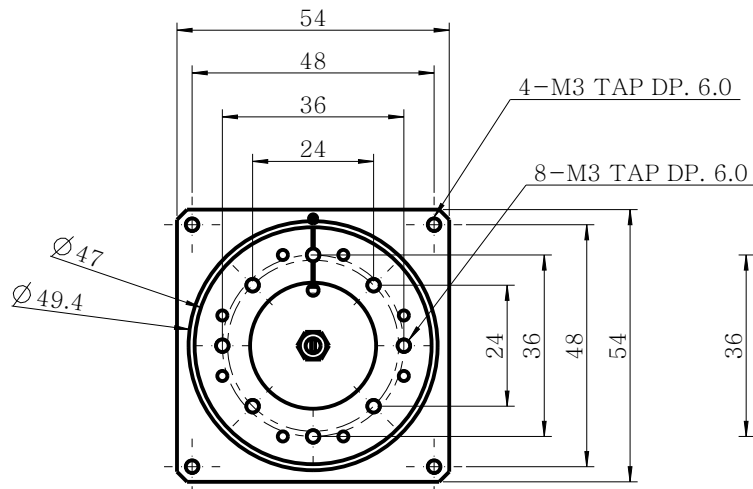
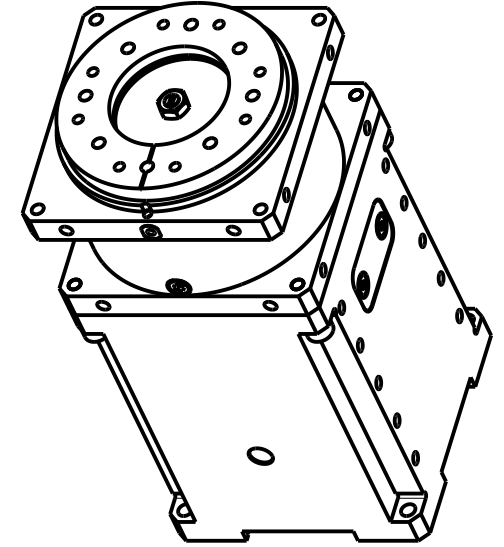
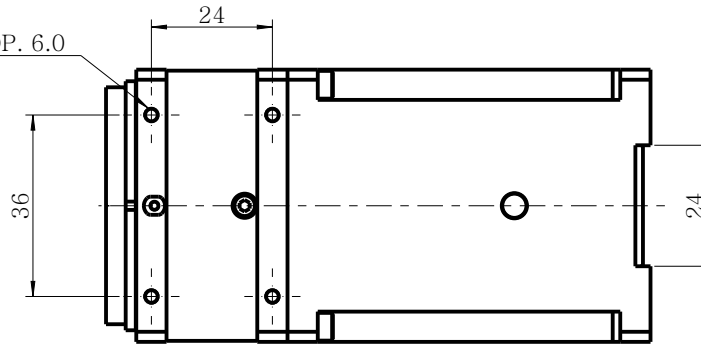
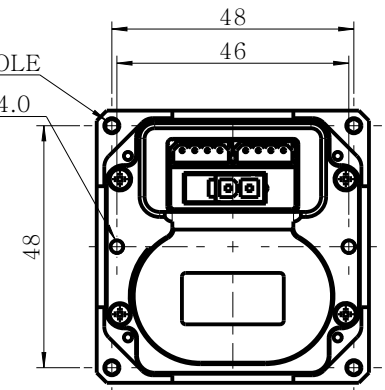


16-M3 TAP DP. 6.0



4-Ø3 HOLE  
2-M3 TAP DP. 4.0



[FOR REFERENCE ONLY]

|  |          |                    |          |       |  |
|--|----------|--------------------|----------|-------|--|
| Title<br>H54-100-S500-R / M54-40-S250-R<br>L54-50-S290-R / L54-30-S400-R | Material | Scale              | Unit     | Sheet |  |
|  | 0.000    | Date<br>06/11/2014 | NONSCALE | mm    |  |

**A4**