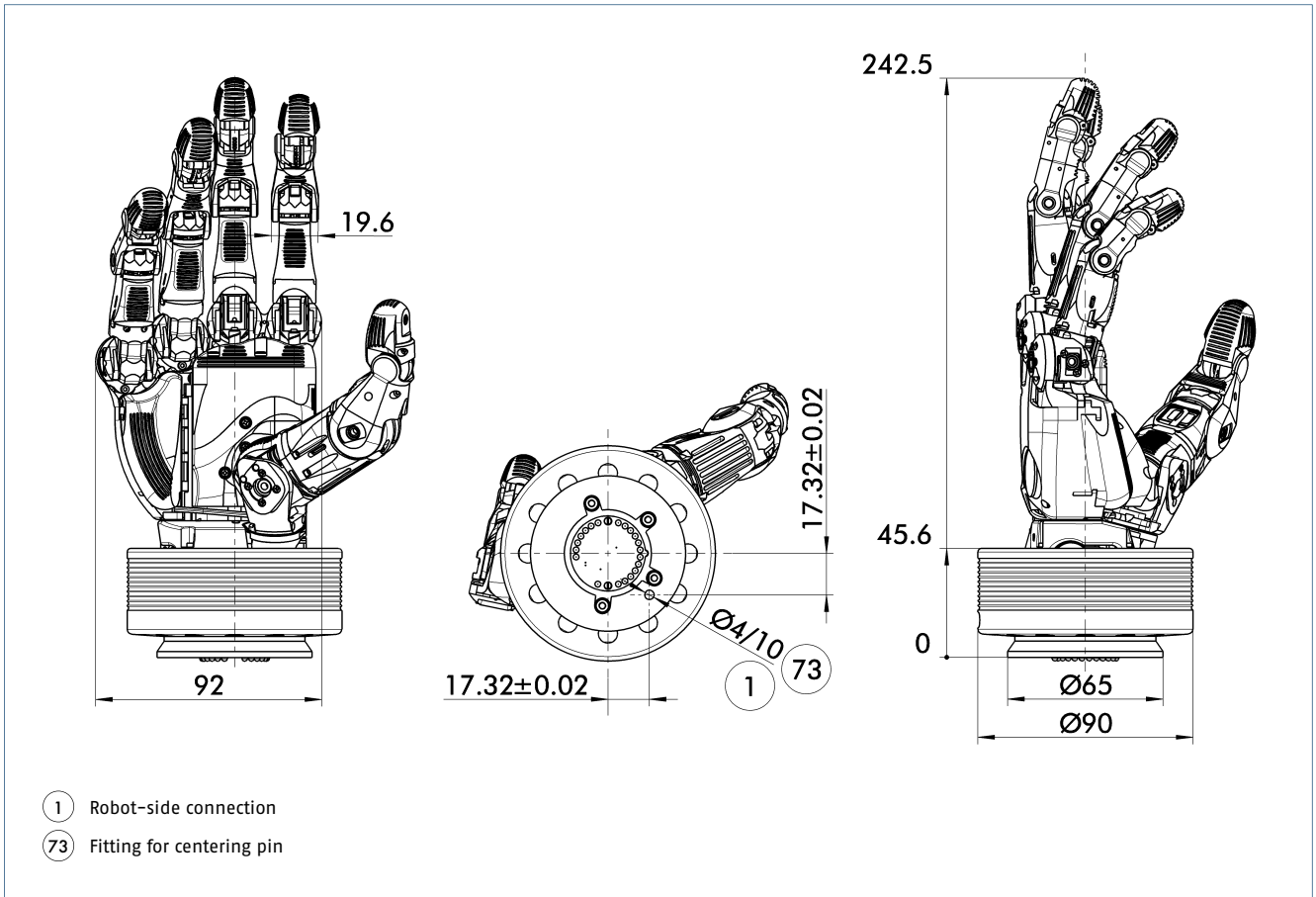
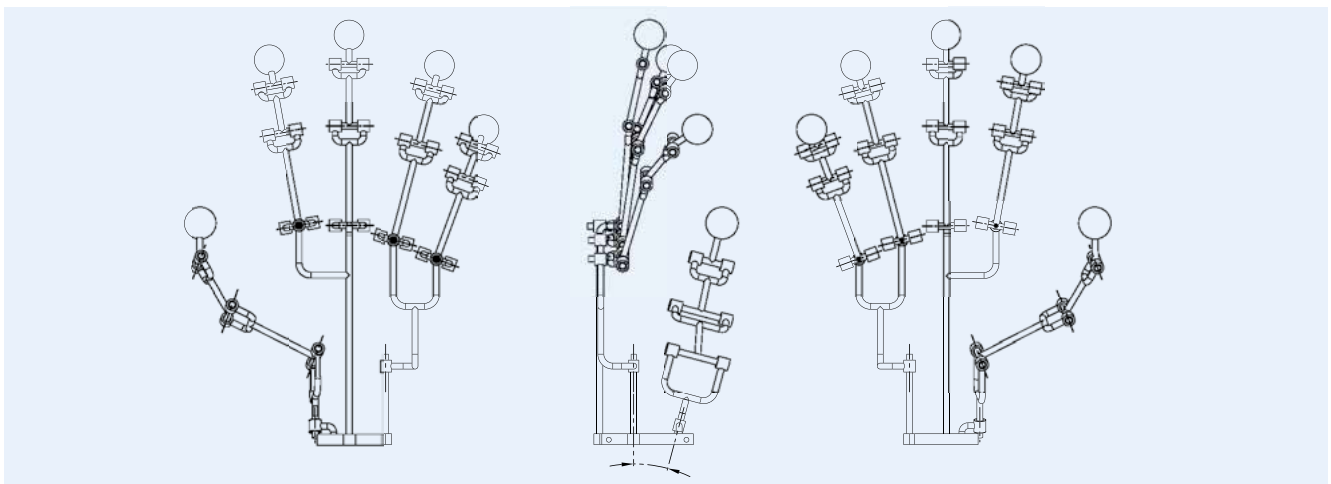


Technical data



| Designation | SVH Right hand | SVH Left hand | | |
|------------------------|----------------|---------------|----------------------|--------|
| ID | 0306454 | 0306455 | Ring finger drives | 1 |
| Overall length [mm] | 242 | | Middle finger drives | 2 |
| Hand width [mm] | 92 | | Index finger drives | 2 |
| Max. finger width [mm] | 19.6 | | Thumb drives | 2 |
| Ratio to human hand | 1:1 | | Splay drives | 1 |
| Number of axes | 20 | | Dead weight [kg] | 1.3 |
| Small finger drives | 1 | | Power supply [V DC] | 24 |
| | | | Interface | RS 485 |



9 electric motors control the motion functions in 20 joints